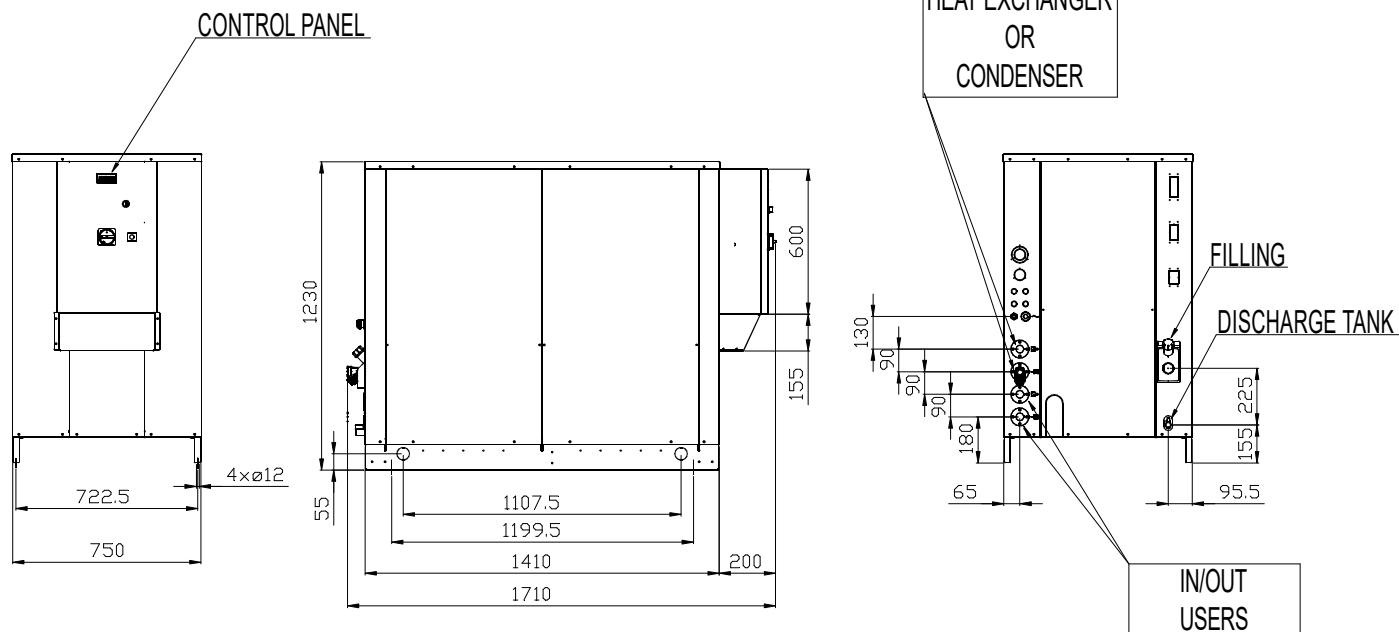


All rights reserved by Euro Cold S.r.l Modena (Italy). These drawings and specifications are the property of Euro Cold S.r.l. and shall not be reproduced, copied or used directly or indirectly for any purpose without the express written permission of EURO COLD S.r.l

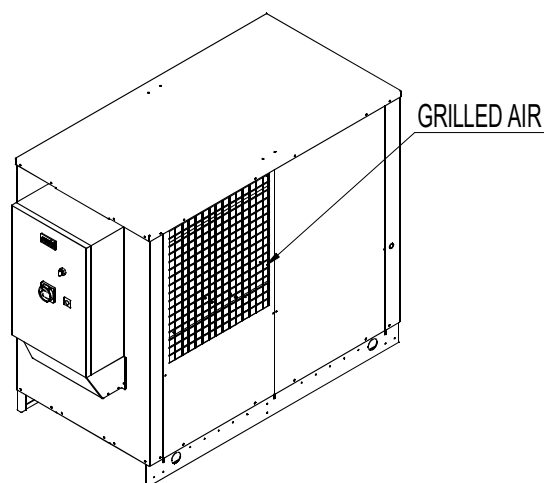
TECHNICAL DATA ARE SUBJECT TO CHANGE WITHOUT PRIOR NOTICE AND OVERALL DIMENSION CAN CHANGE DUE TO THE REQUESTED ACCESSORIES.

### FRAME W-SCW UL D3



### HYDRAULIC CONNECTION SIZES

W-SCW D3	
IN	G.1"
OUT	G.1"

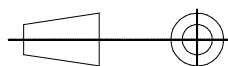


Material: Thickness: Z Y X W V U T S R Q P O N M L K J I H G F E D C B A

EDITION

**EURO COLD srl**  
Tel. +39.059.817.8138  
www.eurocold.it

Scale :



Designed:

Date: 09-01-2025

Sign:

Title:

Weight (g)

Model number:

Code:

Q.ty:

Drawing number:

W-SCW-UL\_D3\_REV00