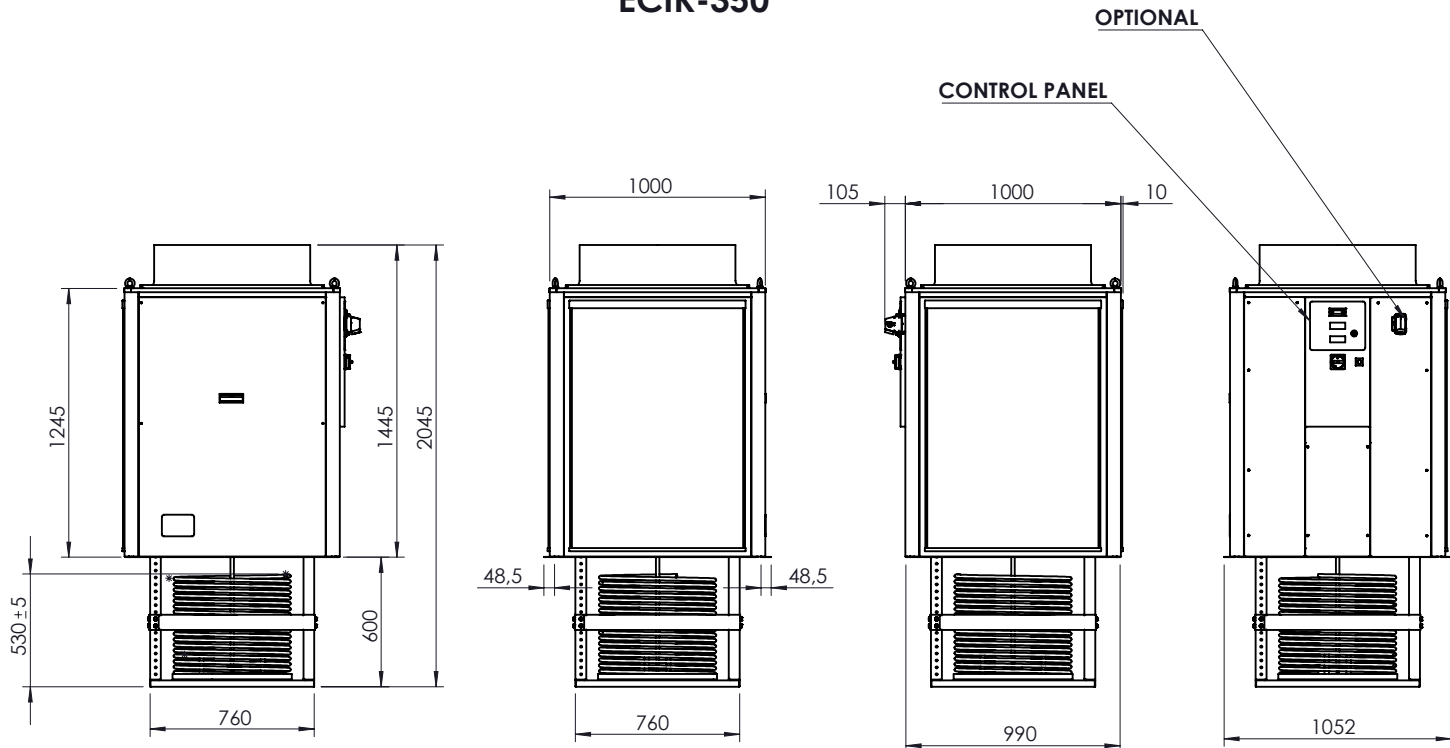


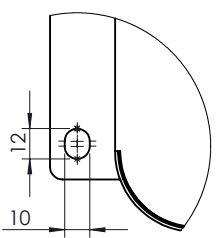
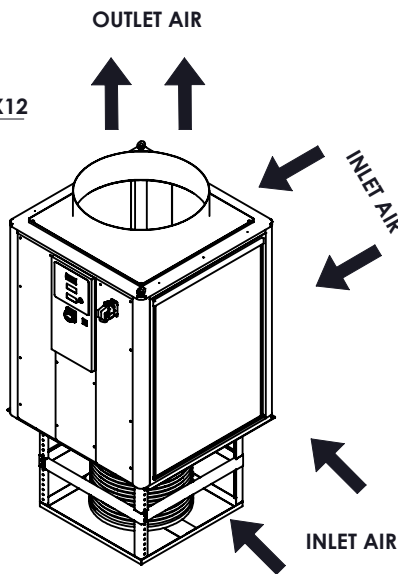
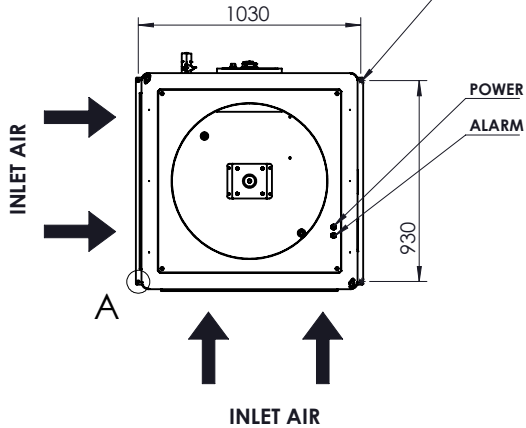
All rights reserved by Euro Cold S.r.l Modena (Italy). These drawings and specifications are the property of Euro Cold S.r.l and shall not be reproduced, copied or used directly or indirectly for any purpose without the express written permission of EURO COLD S.r.l

TECHNICAL DATA ARE SUBJECT TO CHANGE WITHOUT PRIOR NOTICE AND OVERALL DIMENSION CAN CHANGE DUE TO THE REQUESTED ACCESSORIES

ECIK-350



SLOTTED HOLES CENTRE DISTANCES N°4 SLOTTED HOLES 10X12



DETAIL A
SCALA 1 : 3

Material:	FORMATO A4
-----------	------------

EDITION	
---------	--

	EURO COLD srl Tel. +39.059.817.8138 www.eurocold.it	Scale : 1:35	Designed:	General tolerance: UNI EN 22768-m
			Date: 24/03/2026	
Title:			Sign: T_D.	Weight (kg)

LAYOUT ECIK-350_EVAP SL

Model number: ECIK-350	Code: 24-AA-03500	Surface (m ²):	Drawing number: ECIK-350_EVAP_REV06
----------------------------------	-----------------------------	----------------------------	---

All rights reserved by Eurocold S.r.l Modena (Italy). These drawings and specifications are the property of Eurocold S.r.l. and shall not be reproduced, copied or used directly or indirectly for any purpose without the express written permission of EURO COLD S.r.l