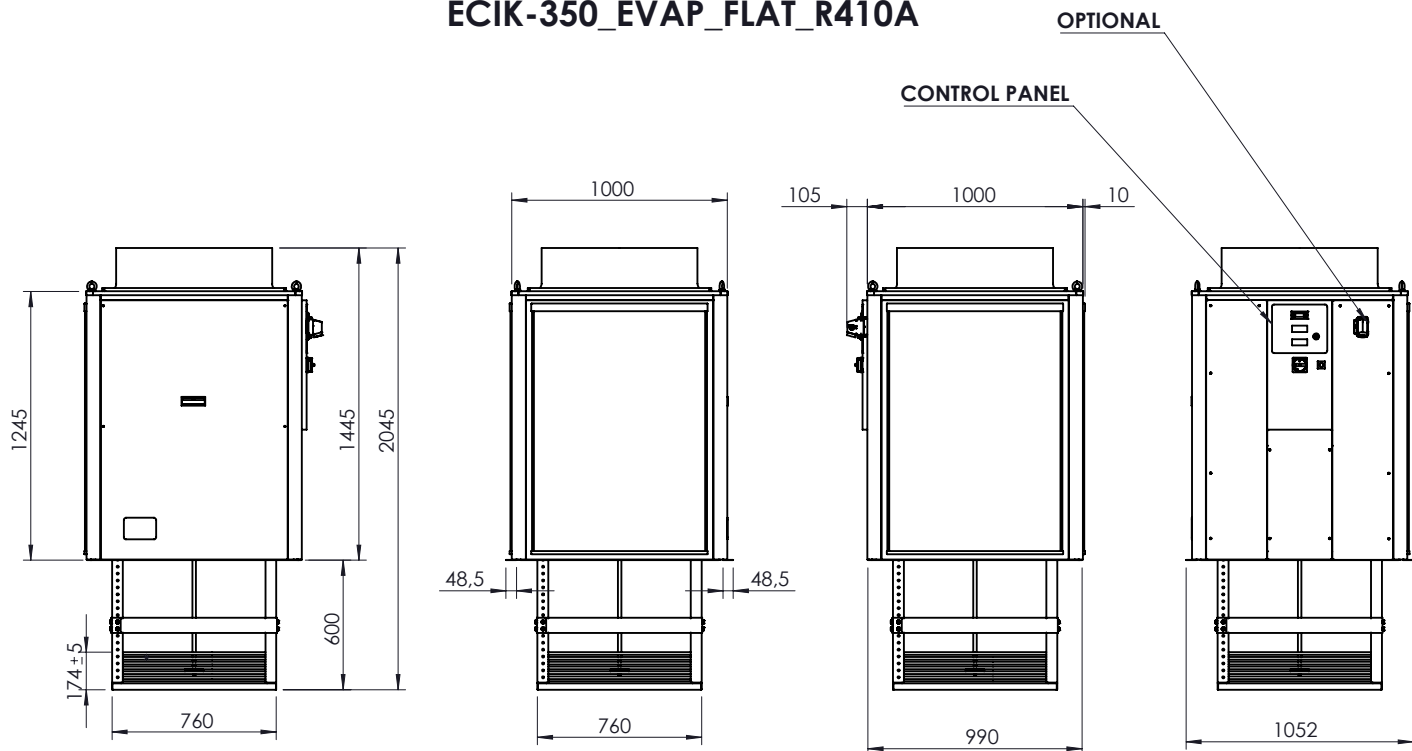


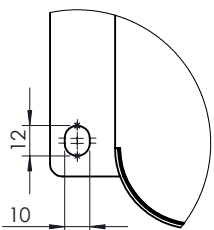
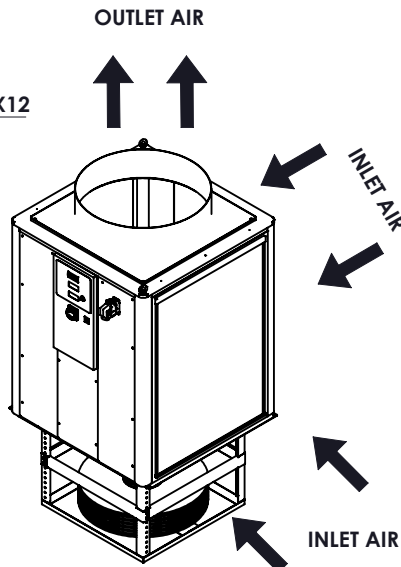
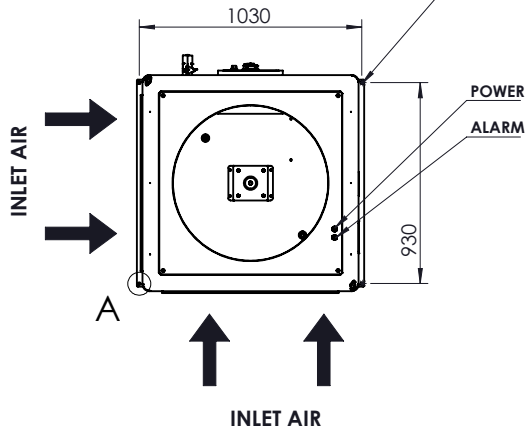
All rights reserved by Euro Cold S.r.l Modena (Italy). These drawings and specifications are the property of Euro Cold S.r.l and shall not be reproduced, copied or used directly or indirectly for any purpose without the express written permission of EURO COLD S.r.l

TECHNICAL DATA ARE SUBJECT TO CHANGE WITHOUT PRIOR NOTICE AND OVERALL DIMENSION CAN CHANGE DUE TO THE REQUESTED ACCESSORIES


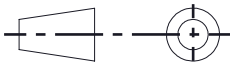
ECIK-350_EVAP_FLAT_R410A



SLOTTED HOLES CENTRE DISTANCES N°4 SLOTTED HOLES 10X12



DETAIL A
SCALA 1 : 3

Material:		FORMATO A4	
EDITION			
	EURO COLD srl Tel. +39.059.817.8138 www.eurocold.it	Scale : 1:35	Designed: _____
			Date: 24/03/2026
Title:		Sign: T.D.	General tolerance: UNI EN 22768-m
LAYOUT ECIK-350_EVAP_FLAT_R410A SL			Weight (kg)
Model number: ECIK-350	Code: 24-AA-03501	Surface (m ²):	Drawing number: ECIK-350_EVAP_FLAT_R410A_REV00

All rights reserved by Eurocold S.r.l Modena (Italy). These drawings and specifications are the property of Eurocold S.r.l. and shall not be reproduced, copied or used directly or indirectly for any purpose without the express written permission of EURO COLD S.r.l