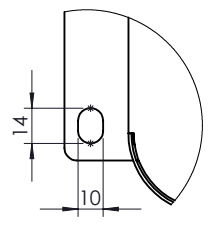
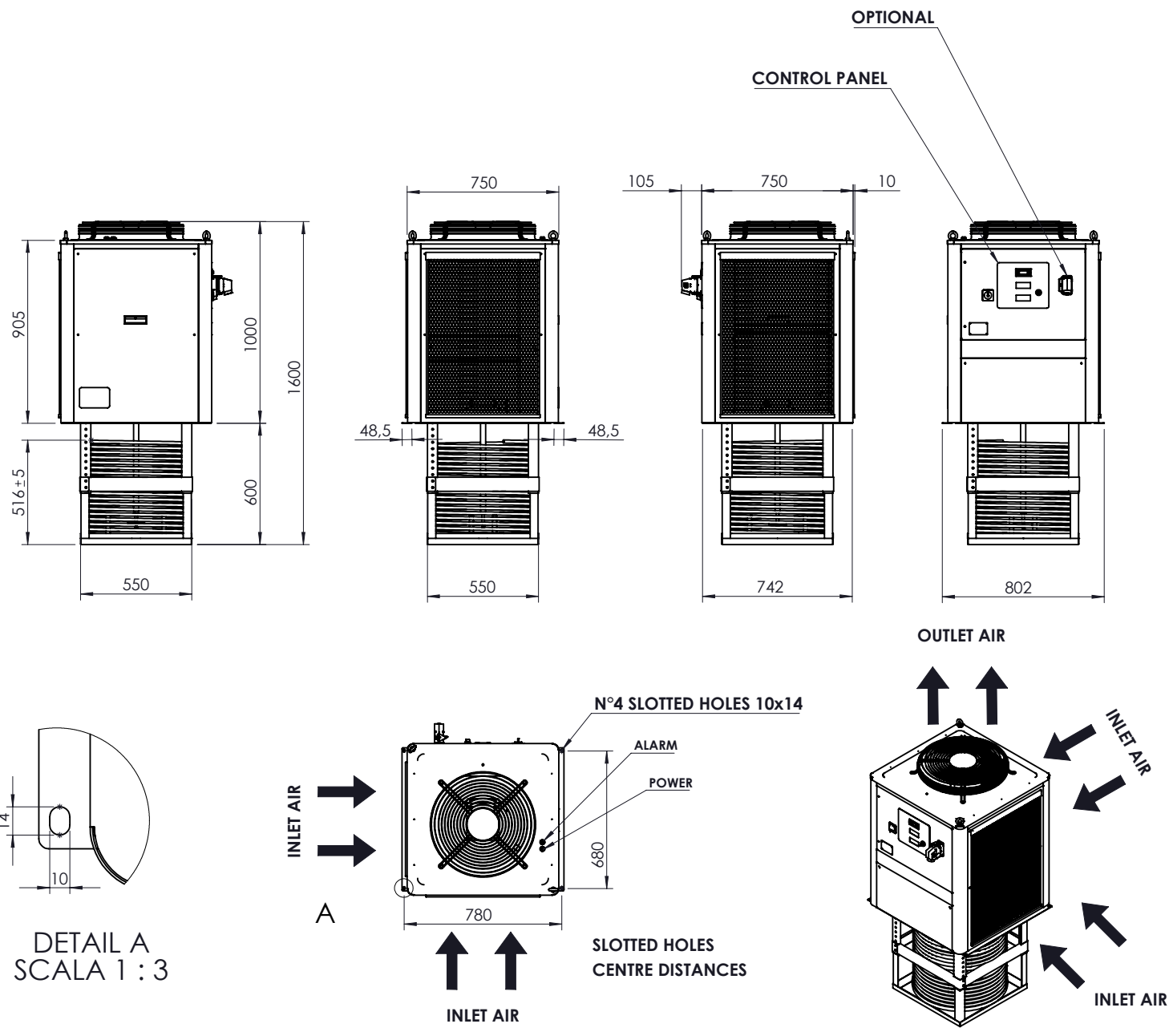


All rights reserved by Euro Cold S.r.l Modena (Italy). These drawings and specifications are the property of Euro Cold S.r.l and shall not be reproduced, copied or used directly or indirectly for any purpose without the express written permission of EURO COLD S.r.l

TECHNICAL DATA ARE SUBJECT TO CHANGE WITHOUT PRIOR NOTICE AND OVERALL DIMENSION CAN CHANGE DUE TO THE REQUESTED ACCESSORIES

ECIK-120



DETAIL A
SCALA 1 : 3

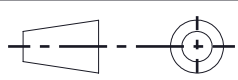
Material: FORMATO A4

EDITION



EURO COLD srl
Tel. +39.059.817.8138
www.eurocold.it

Scale : **1:30**



Designed: **27/03/2026**
Date: **27/03/2026**
Sign:

General tolerance:
UNI EN
22768-m

Title:
LAYOUT ECIK-120 SL

Weight (kg)

Model number:
ECIK-120

Code:
24-AA-01200

Surface (m²):

Drawing number:
ECIK-120_EVAP_REV_06

All rights reserved by Eurocold S.r.l Modena (Italy). These drawings and specifications are the property of Eurocold S.r.l. and shall not be reproduced, copied or used directly or indirectly for any purpose without the express written permission of EURO COLD S.r.l