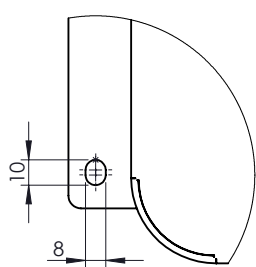
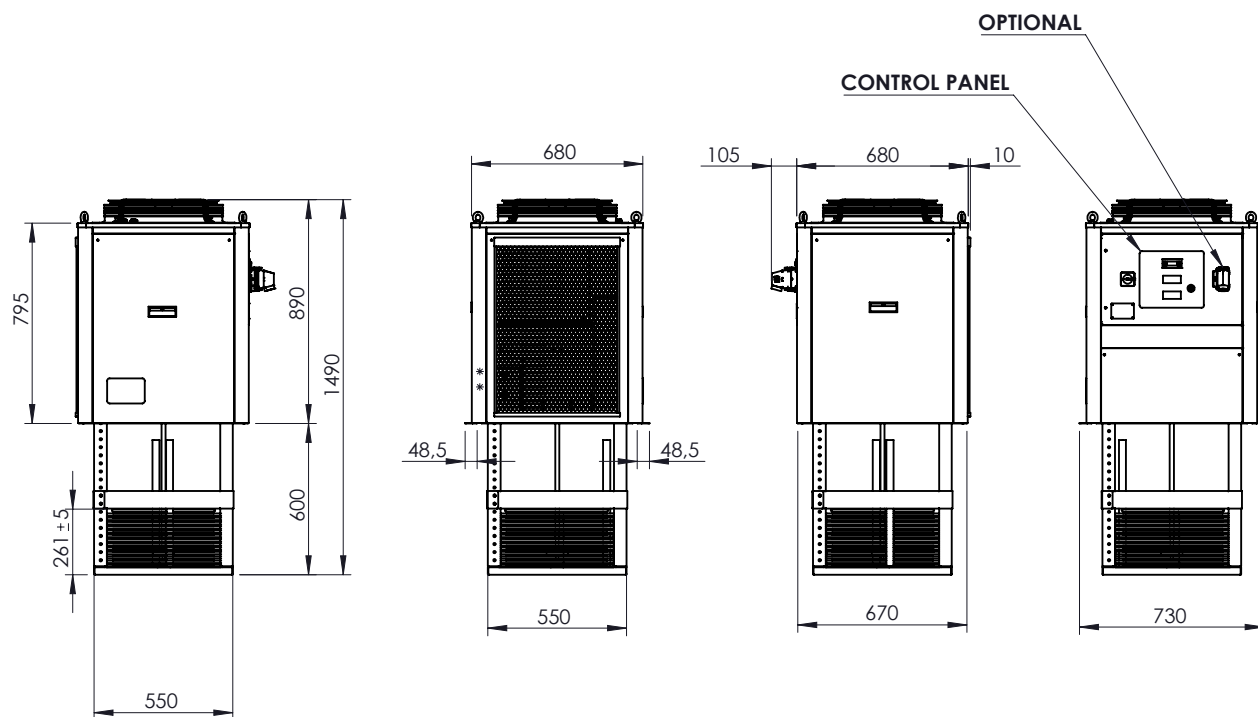
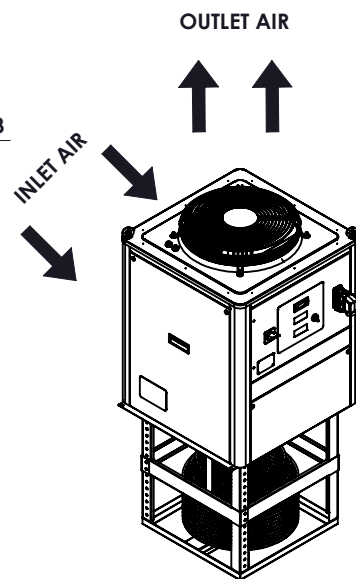
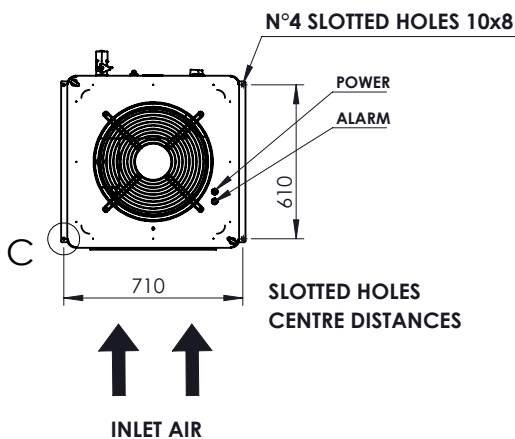



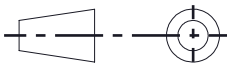
TECHNICAL DATA ARE SUBJECT TO CHANGE WITHOUT PRIOR NOTICE AND OVERALL DIMENSION CAN CHANGE DUE TO THE REQUESTED ACCESSORIES

ECIK-070



DETAIL C
SCALE 1 : 3



Material:		FORMATO A4	
EDITION			
	EURO COLD srl Tel. +39.059.817.8138 www.eurocold.it	Scale : 1:30	Designed:
			Date: 19/03/2026
Title: LAYOUT ECIK-070 SL		Sign: T.D.	General tolerance: UNI EN 22768-m
Model number: ECIK-070	Code: 24-AA-00700	Surface (m ²):	Weight (kg)
Drawing number: ECIK-070_EVAP_REV06			