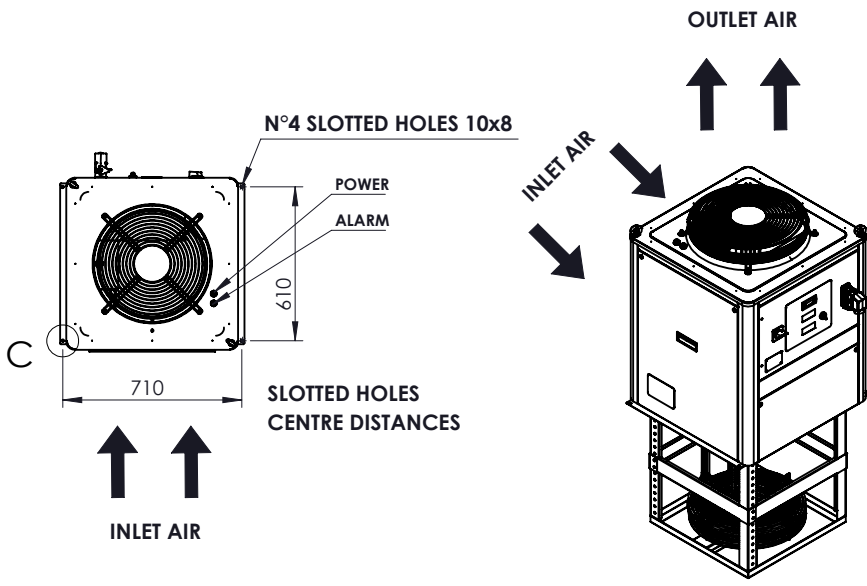
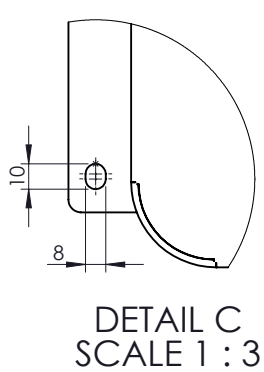
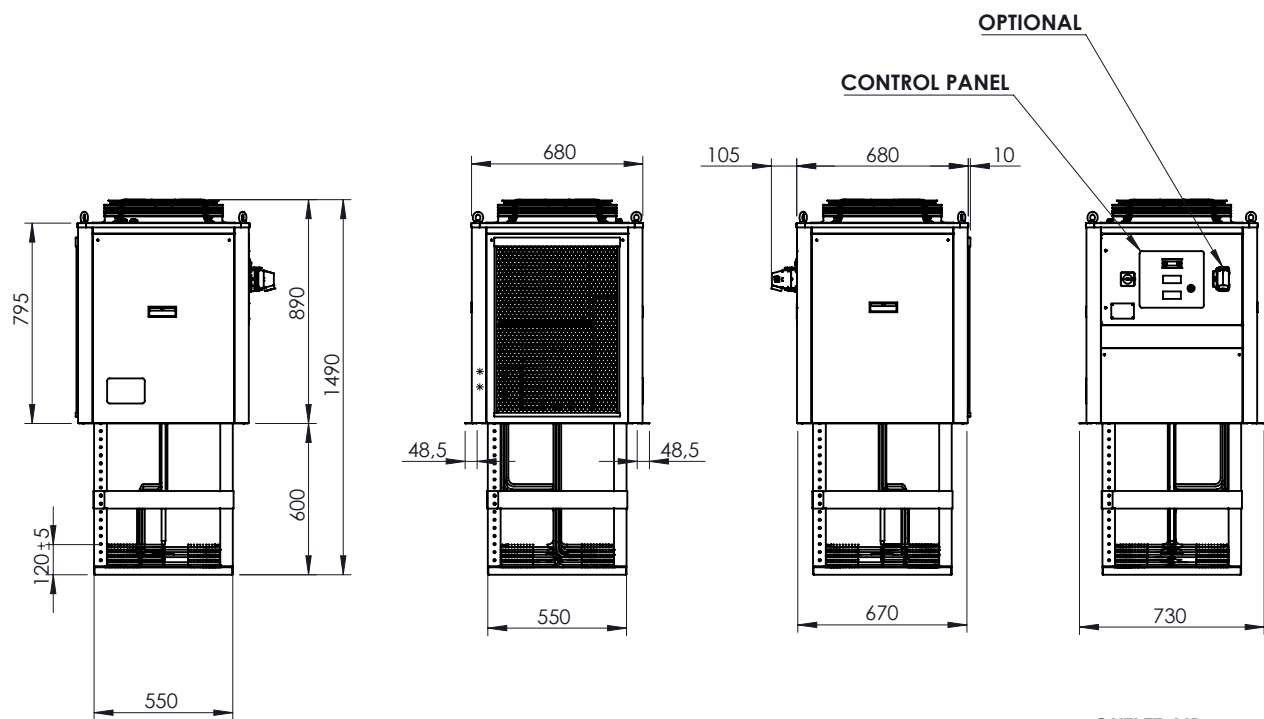

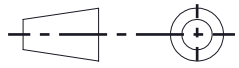


TECHNICAL DATA ARE SUBJECT TO CHANGE WITHOUT PRIOR NOTICE AND OVERALL DIMENSION CAN CHANGE DUE TO THE REQUESTED ACCESSORIES

ECIK-070_FLAT_R410A



| | | | |
|--|--|--|-----------------------------------|
| Material: | | FORMATO A4 | |
| EDITION | | | |
|  | EURO COLD srl Tel. +39.059.817.8138 www.eurocold.it | Scale : 1:30 | Designed: _____ |
| | |  | Date: 19/03/2026 |
| Title: LAYOUT ECIK-070 SL FLAT R410A | | Sign: T.D. | General tolerance: UNI EN 22768-m |
| Model number: ECIK-070 | Code: 24-AA-00703 | Surface (m ²): _____ | Weight (kg) _____ |
| Drawing number: ECIK-070_EVAP_FLAT_R410A_REV06 | | | |