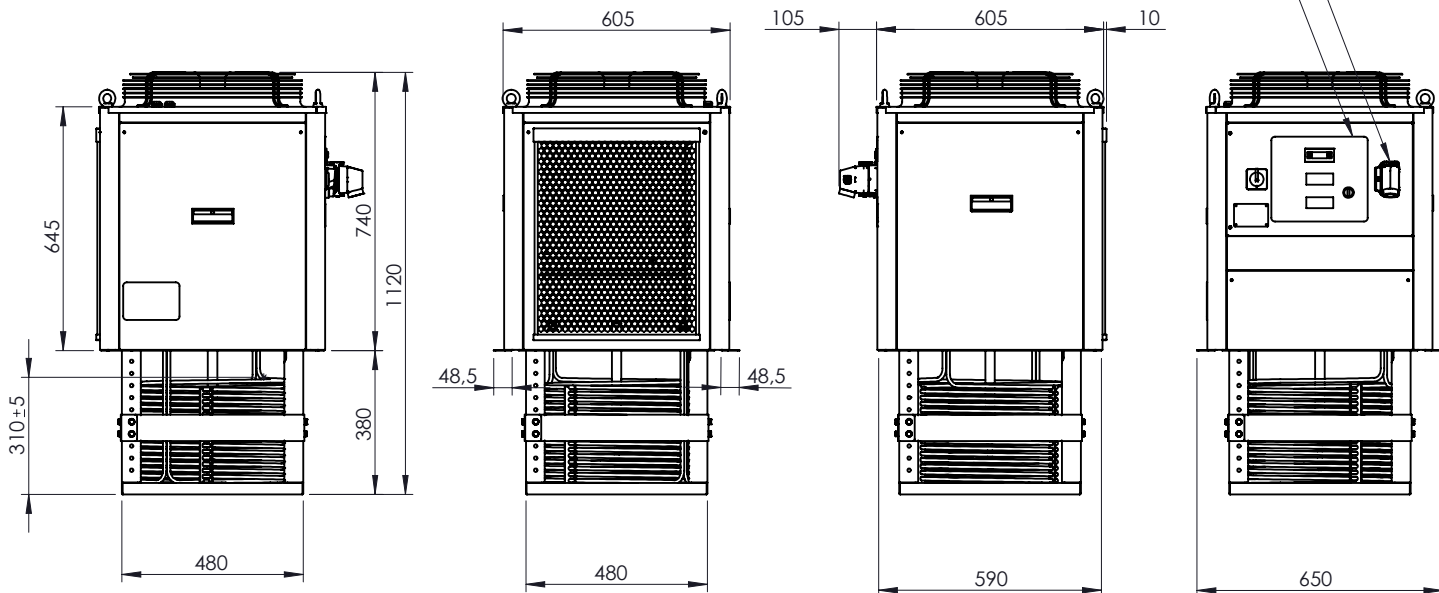


TECHNICAL DATA ARE SUBJECT TO CHANGE WITHOUT PRIOR NOTICE AND OVERALL DIMENSION CAN CHANGE DUE TO THE REQUESTED ACCESSORIES

### ECIK-045

OPTIONAL

CONTROL PANEL

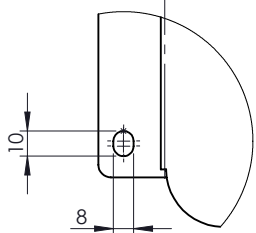


N°4 SLOTTED HOLES 10x8

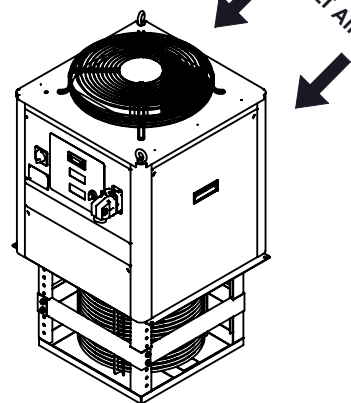
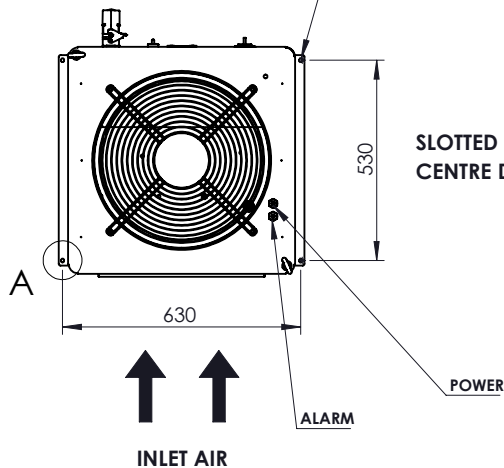
OUTLET AIR



SLOTTED HOLES CENTRE DISTANCES

INLET AIR



DETAIL A  
SCALA 1 : 3



Material:		FORMATO A4	
EDITION			
	<b>EURO COLD srl</b> Tel. +39.059.817.8138 www.eurocold.it	Scale : <b>1:20</b>	Designed: <b>24/03/2026</b>
			Date: <b>24/03/2026</b>
Title: <b>LAYOUT ECIK-045 SL</b>		Sign: <b>T.D.</b>	General tolerance: UNI EN 22768-m
Model number: <b>ECIK-045</b>	Code: <b>24-AA-00450</b>	Surface (m <sup>2</sup> ):	Weight (kg)
Drawing number: <b>ECIK-045_EVAP_REV06</b>			