

4

3

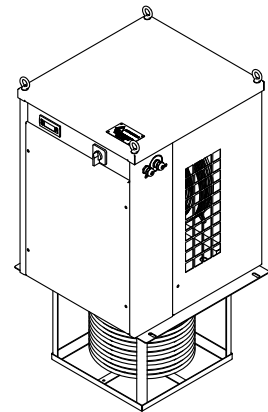
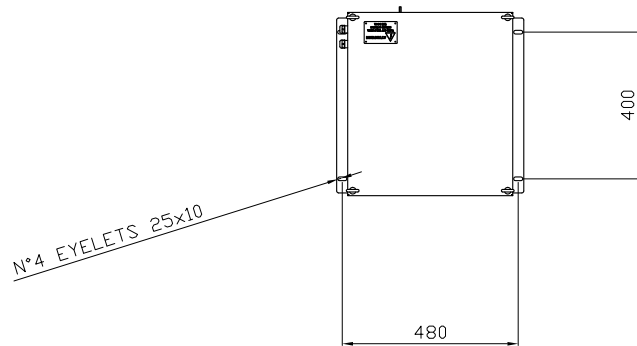
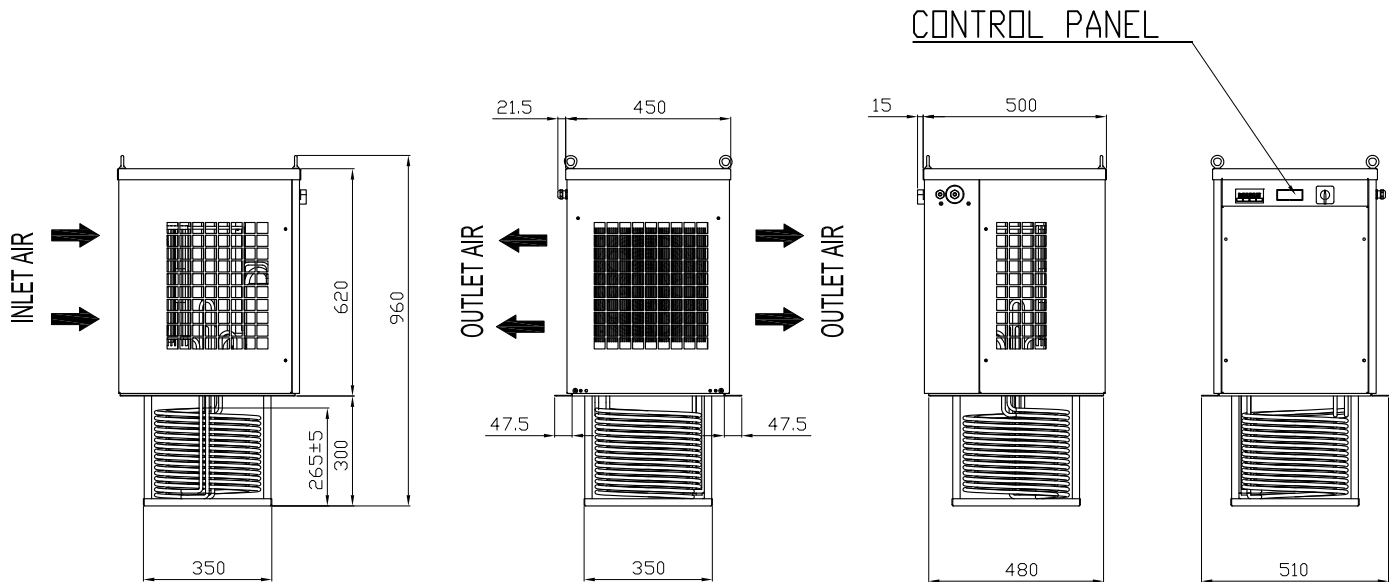
2

1

All rights reserved by Euro Cold S.r.l Modena (Italy). These drawings and specifications are the property of Euro Cold S.r.l. and shall not be reproduced, copied or used directly or indirectly for any purpose without the express written permission of EURO COLD S.r.l

TECHNICAL DATA ARE SUBJECT TO CHANGE WITHOUT PRIOR NOTICE AND OVERALL DIMENSION CAN CHANGE DUE TO THE REQUESTED ACCESSORIES.

FRAME ECI 25



Material:

Thickness:

Z Y X W V U T S R Q P O N M L K J I H G F E D C B A

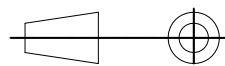
EDITION



EURO COLD srl
Tel. +39.059.817.8138
www.eurocold.it

Title:

Scale :



Designed:

Date:

29-07-2019

Sign:

Weight (g)

Model number:

Code:

Q.ty:

Drawing number:
2M_REV03