

4

3

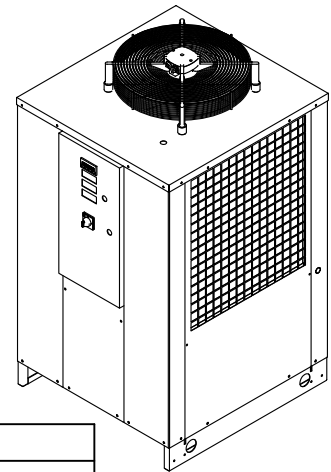
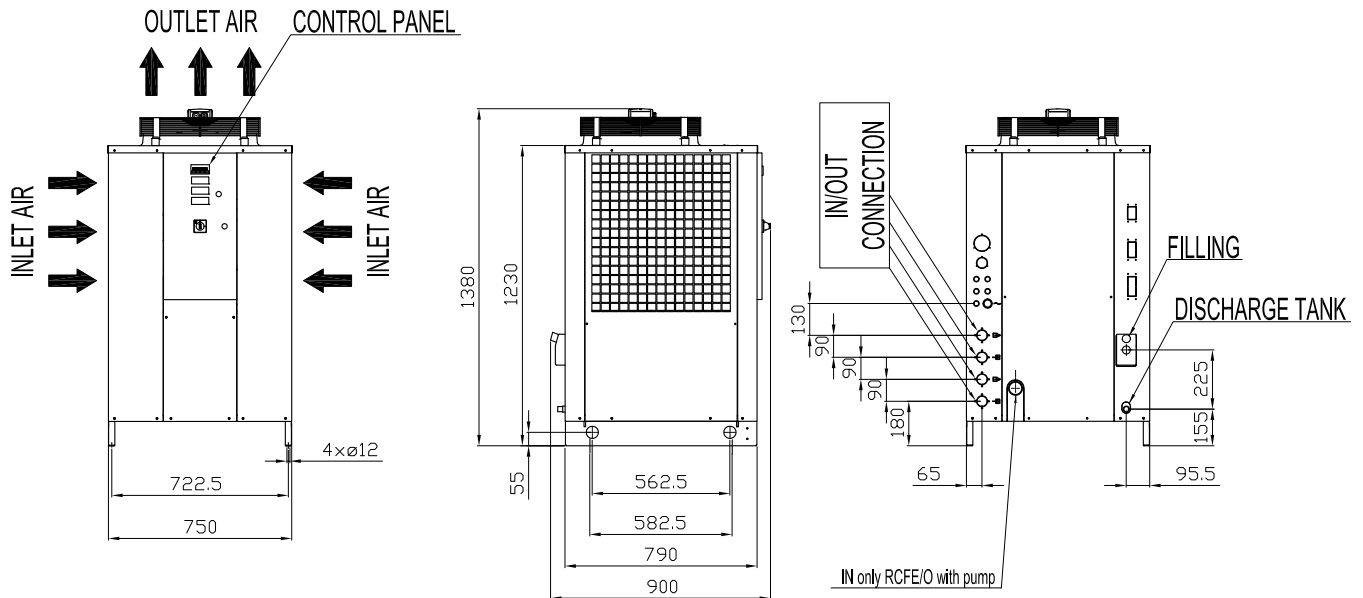
2

1

All rights reserved by Euro Cold S.r.l Modena (Italy). These drawings and specifications are the property of Euro Cold S.r.l. and shall not be reproduced, copied or used directly or indirectly for any purpose without the express written permission of EURO COLD S.r.l

TECHNICAL DATA ARE SUBJECT TO CHANGE WITHOUT PRIOR NOTICE AND OVERALL DIMENSION CAN CHANGE DUE TO THE REQUESTED ACCESSORIES.

## FRAME D2-2C



HYDRAULIC CONNECTION SIZES								
		NO PUMP				PUMP		
	ACO-MP/ACW-MP 160/200	RCFE 160	RCFO 160	RCFE 200	RCFO 200	RCFE 160	RCFO 160	RCFE 200
IN	G.1"	G.1"	G.1"	G.1"	G.1"	G.1" 1/4	G.1" 1/4	G.1" 1/4
OUT	G.1"	G.1"	G.1"	G.1"	G.1"	G.1"	G.1"	G.1"

Material:

Thickness:

Z Y X W V U T S R Q P O N M L K J I H G F E D C B A

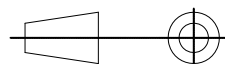
EDITION



**EURO COLD srl**  
Tel. +39.059.817.8138  
www.eurocold.it

Title:

Scale :



Designed:

Date:

12-02-2019

Sign:

Weight (g)

Model number:

Code:

Q.ty:

Drawing number:

D2-2C\_REV05