

4

3

2

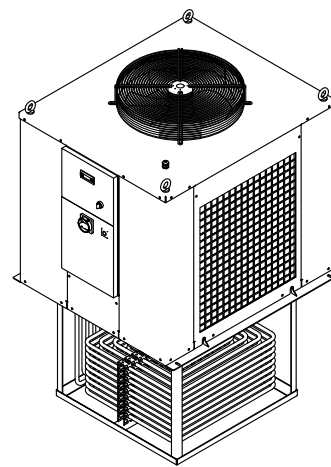
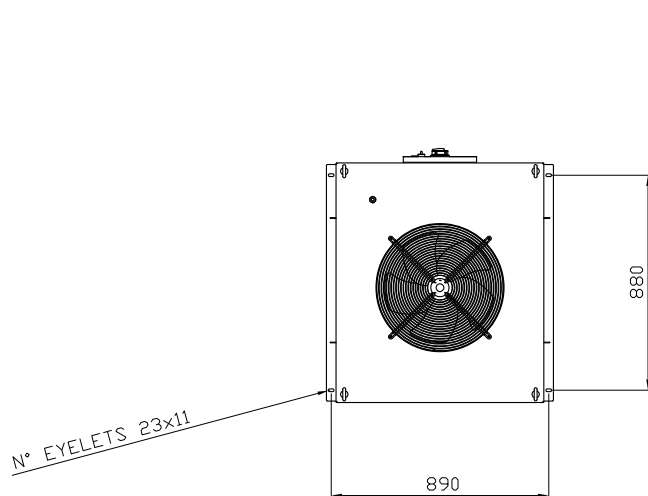
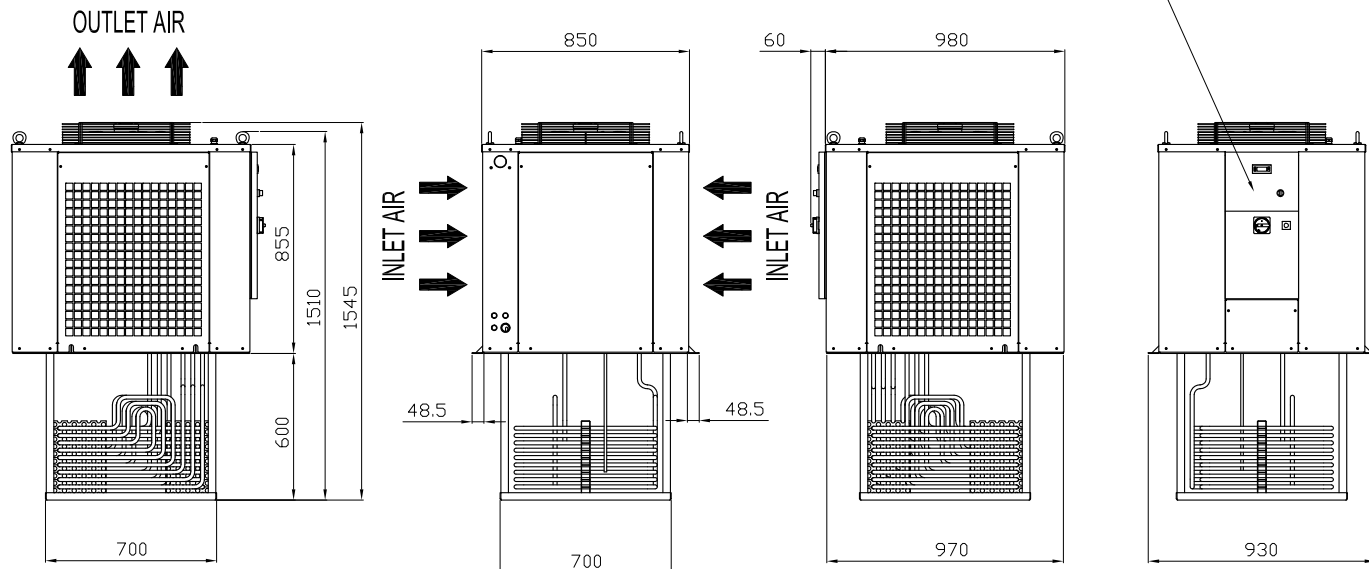
1

All rights reserved by Euro Cold S.r.l Modena (Italy). These drawings and specifications are the property of Euro Cold S.r.l. and shall not be reproduced, copied or used directly or indirectly for any purpose without the express written permission of EURO COLD S.r.l

TECHNICAL DATA ARE SUBJECT TO CHANGE WITHOUT PRIOR NOTICE AND OVERALL DIMENSION CAN CHANGE DUE TO THE REQUESTED ACCESSORIES.

## FRAME ECI 200

## CONTROL PANEL



Material:

Thickness:

Z Y X W V U T S R Q P O N M L K J I H G F E D C B A

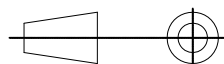
EDITION



**EURO COLD srl**  
Tel. +39.059.817.8138  
www.eurocold.it

Title:

Scale :



Designed:

Date:

15-05-2018

Sign:

Weight (g)

Model number:

Code:

Q.ty:

Drawing number:  
6M\_REV00